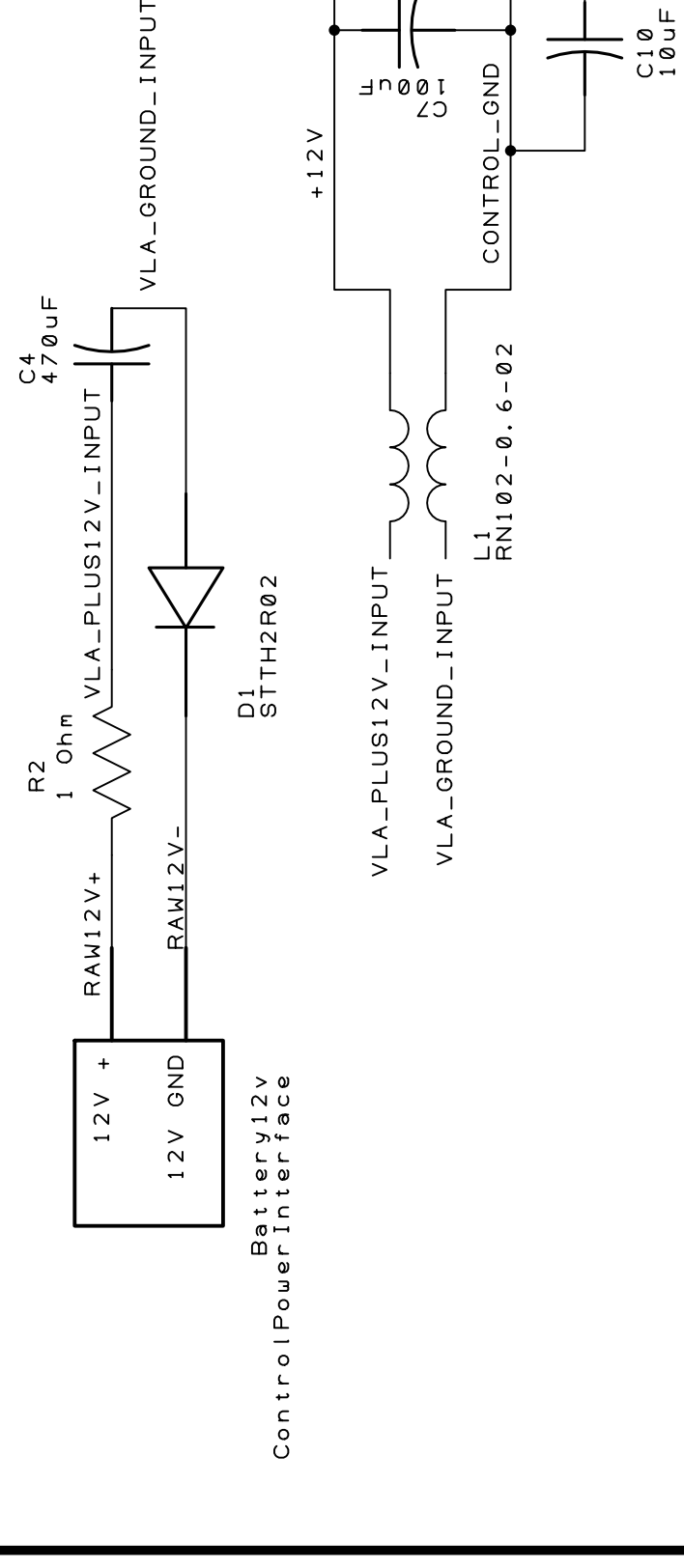
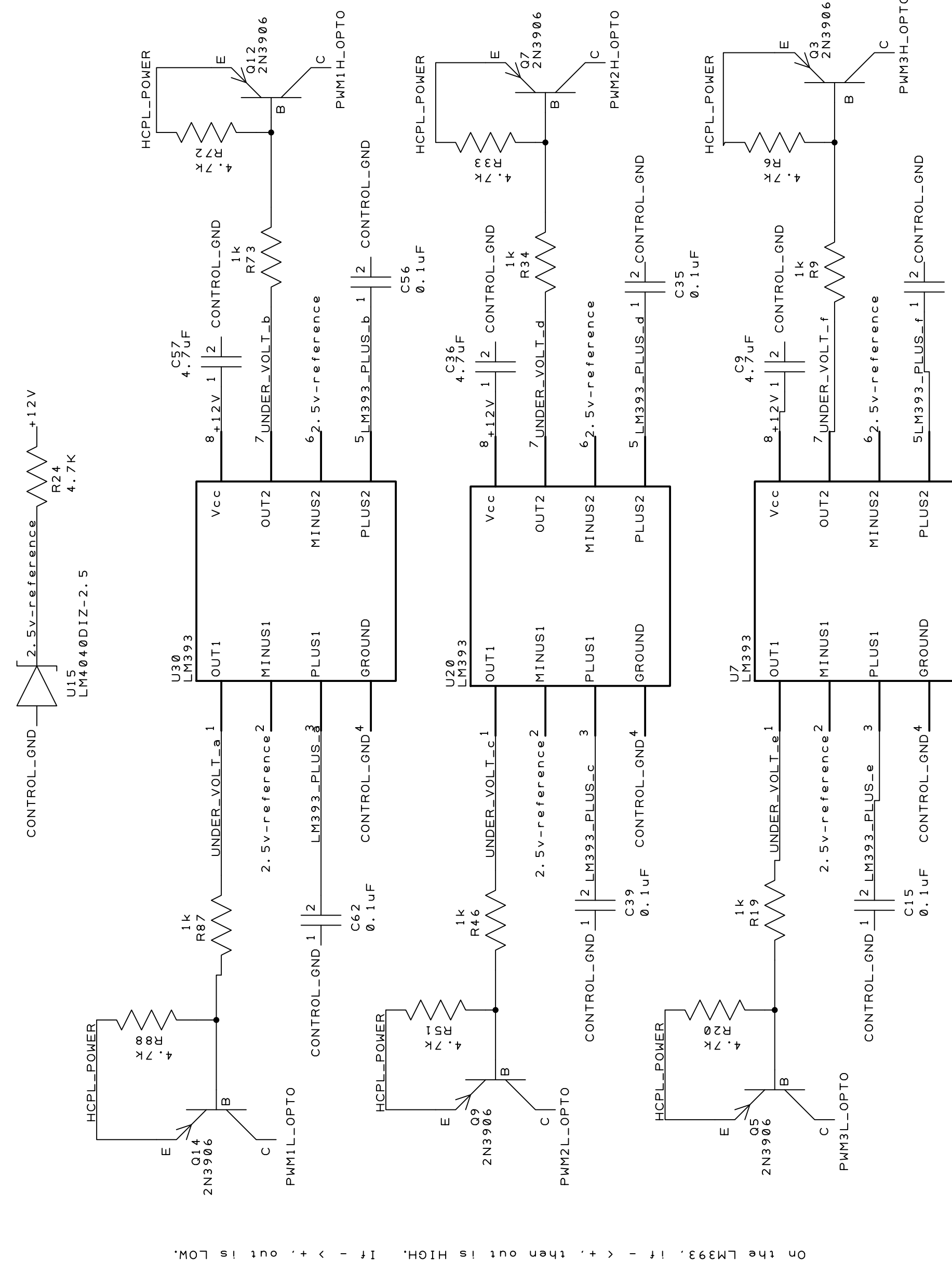
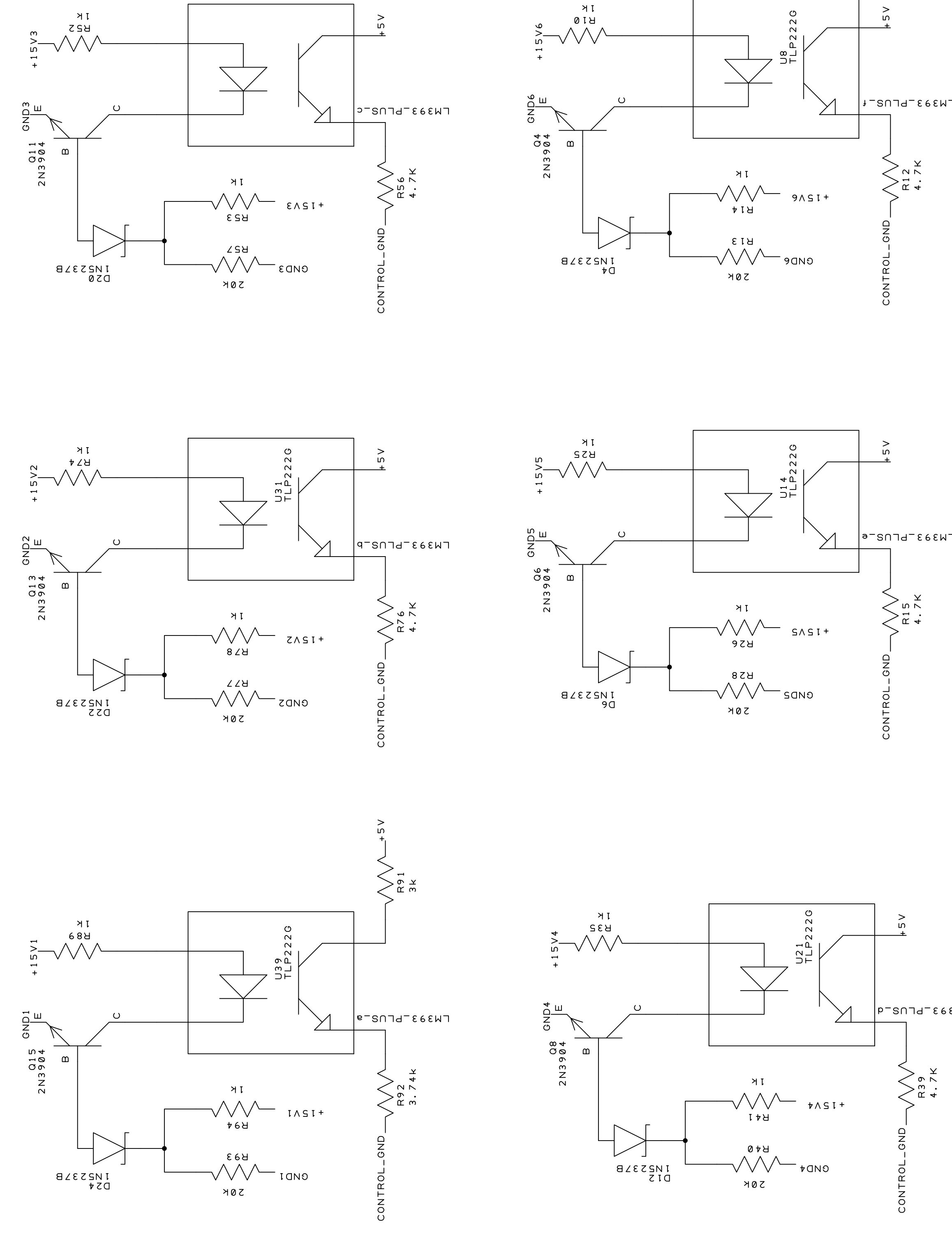


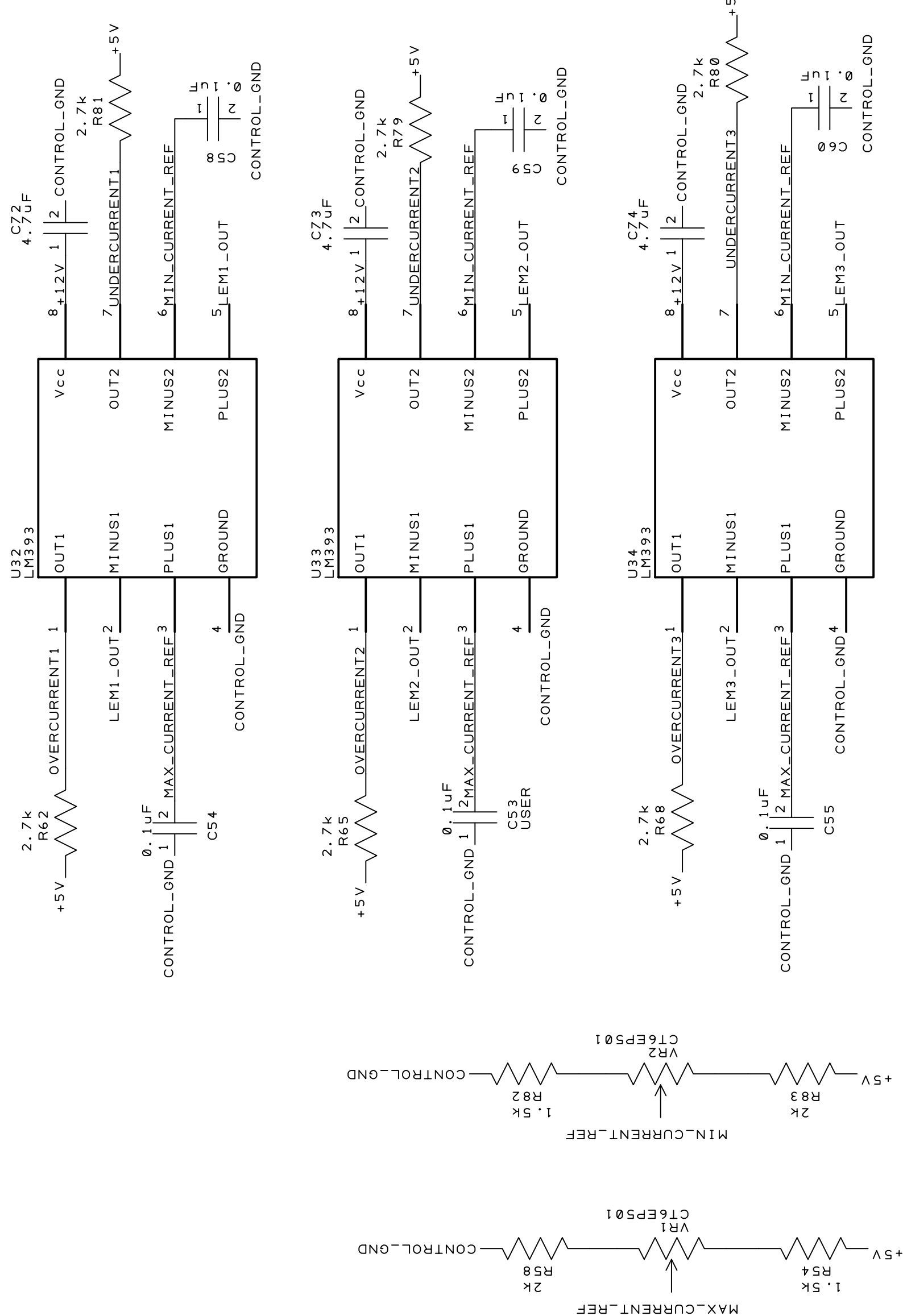
12V CONTROL SUPPLY INPUT AND FILTERING



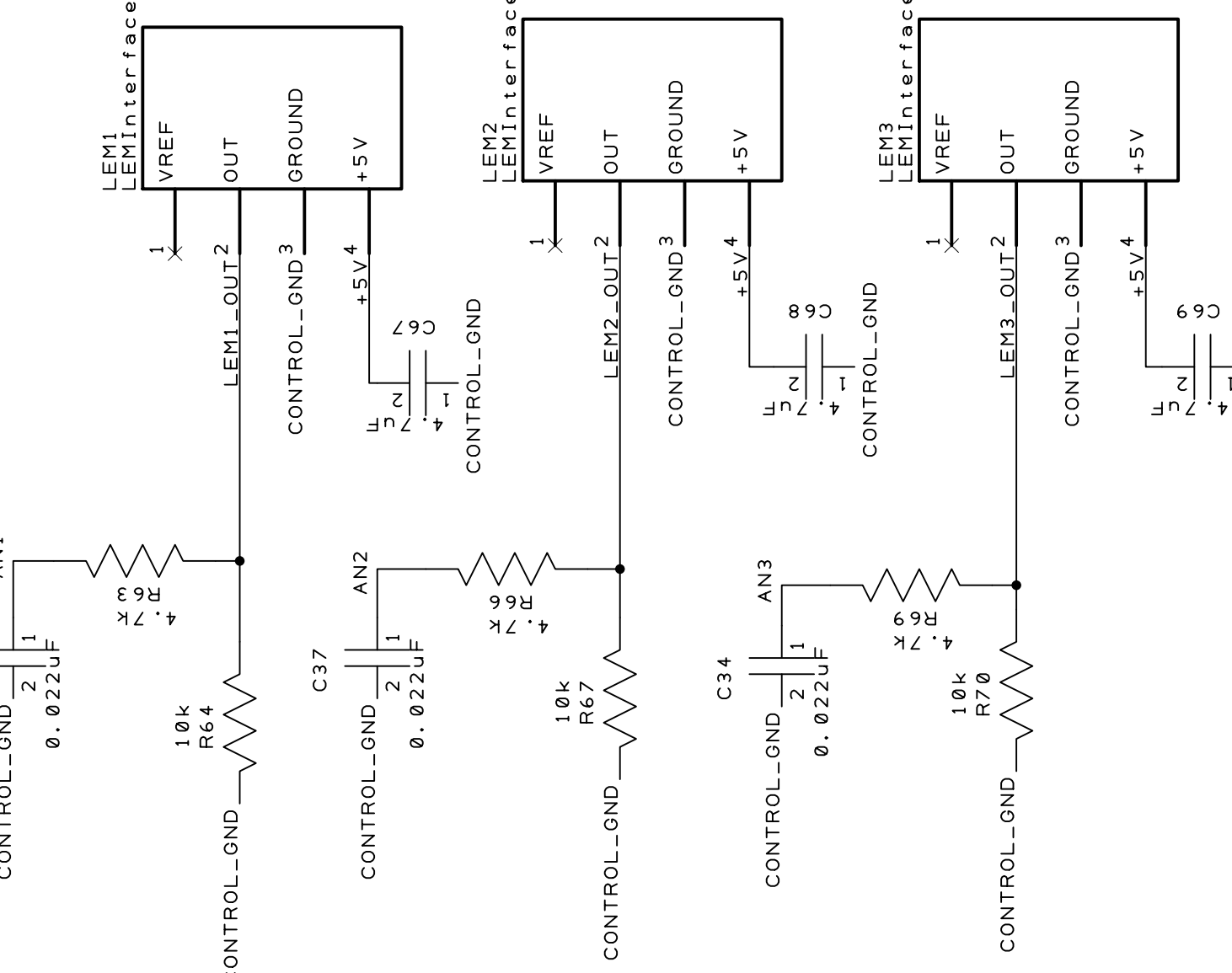
UNDERVOLTAGE HARDWARE DISABLE CIRCUIT



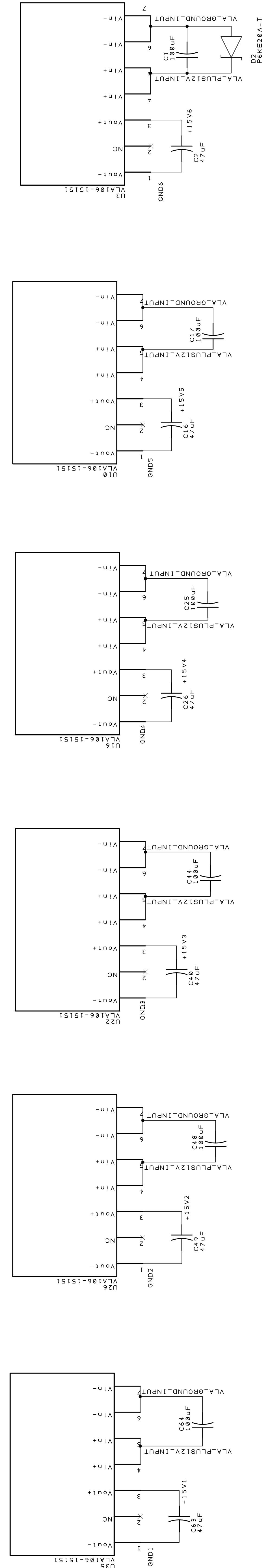
COMPARE LEM OUTPUTS TO OVERCURRENT TRIP POINTS



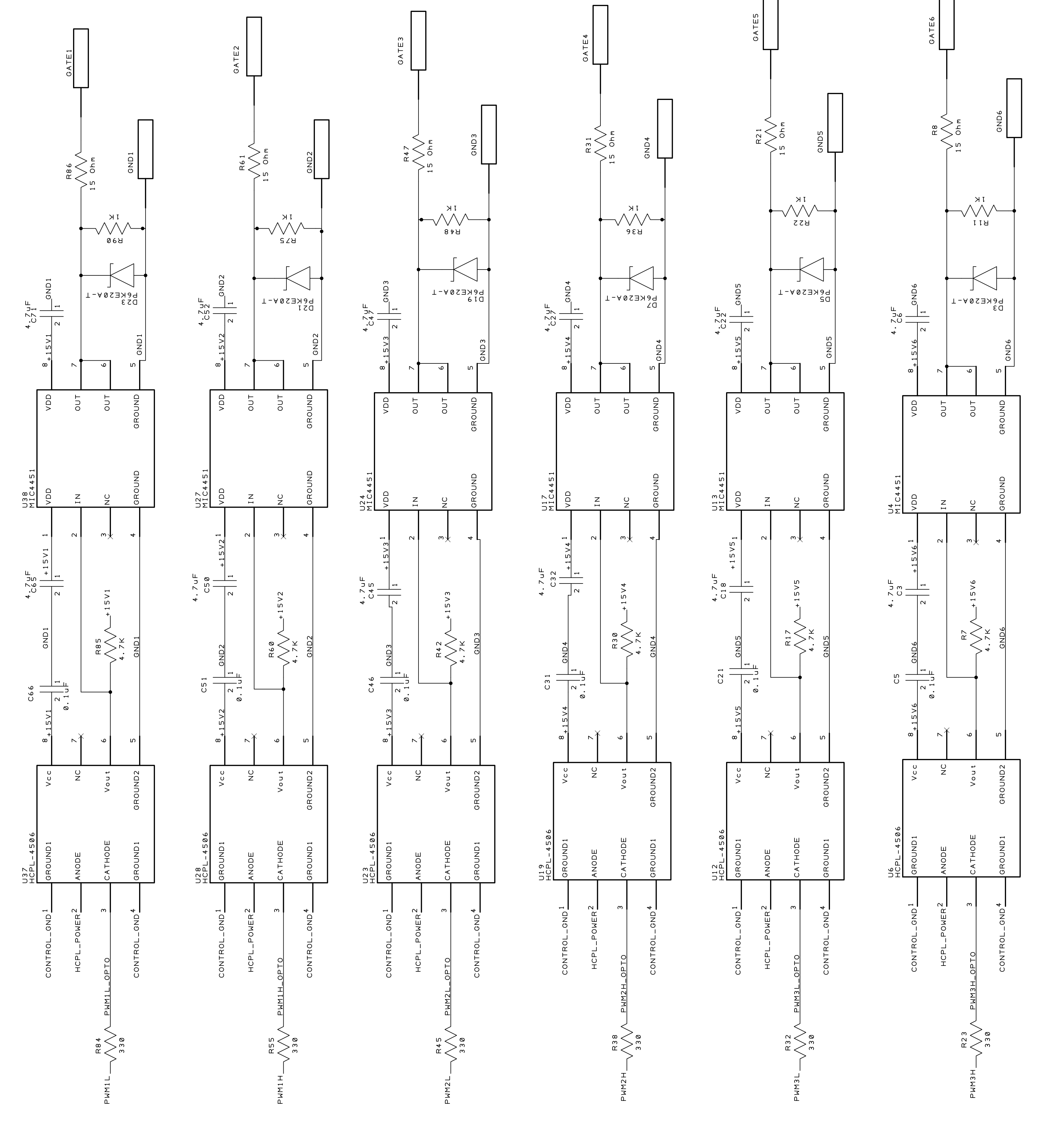
GET THE CURRENTS FROM THE 3 LEMS



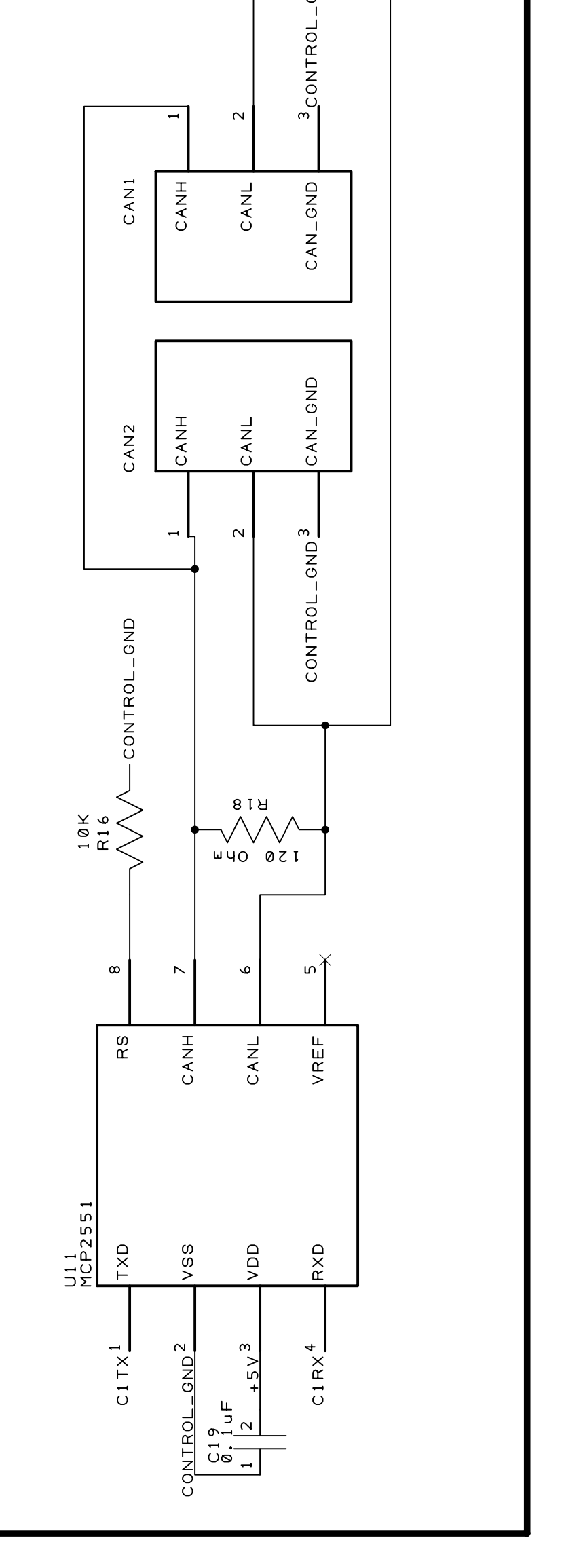
6 ISOLATED DC-DC CONVERTERS



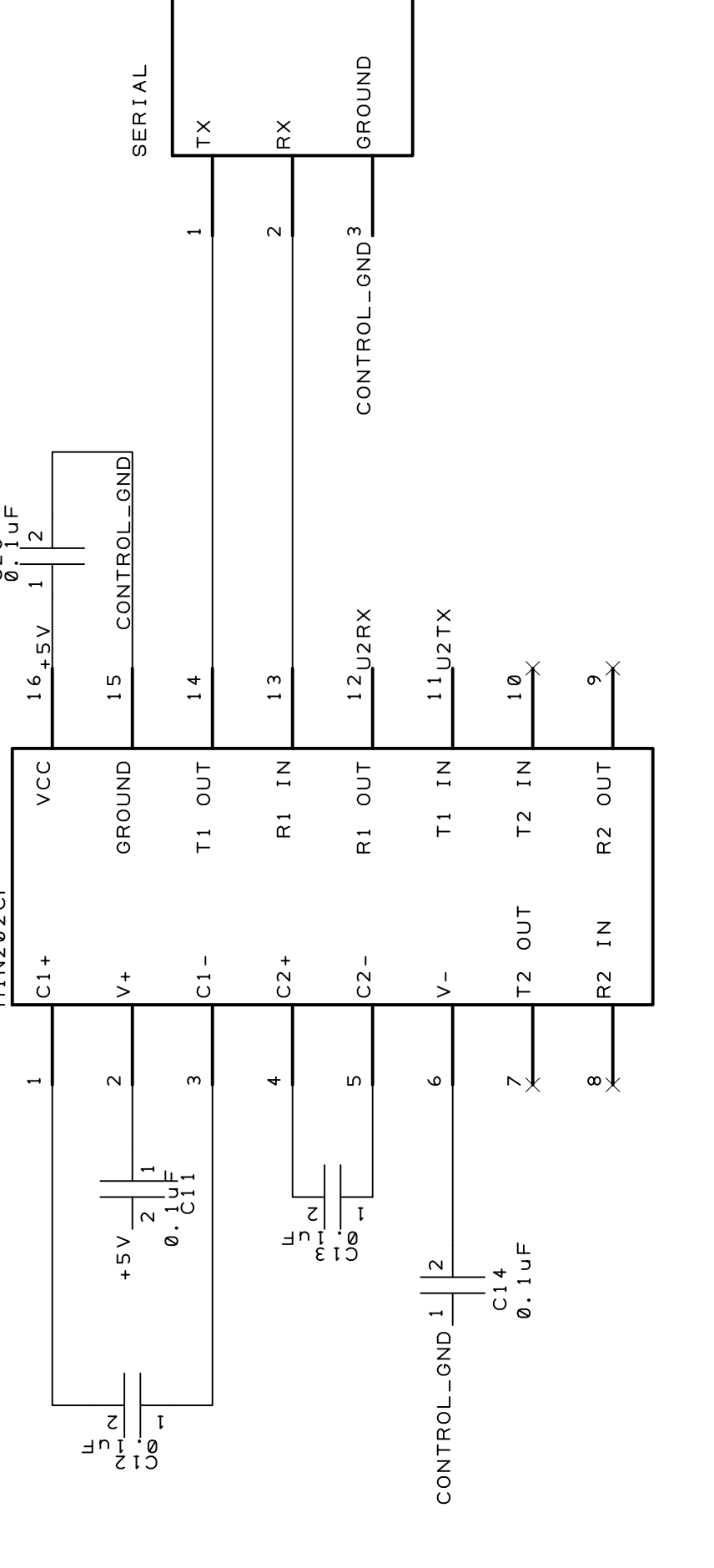
6 DIFFERENT DRIVER CIRCUITS



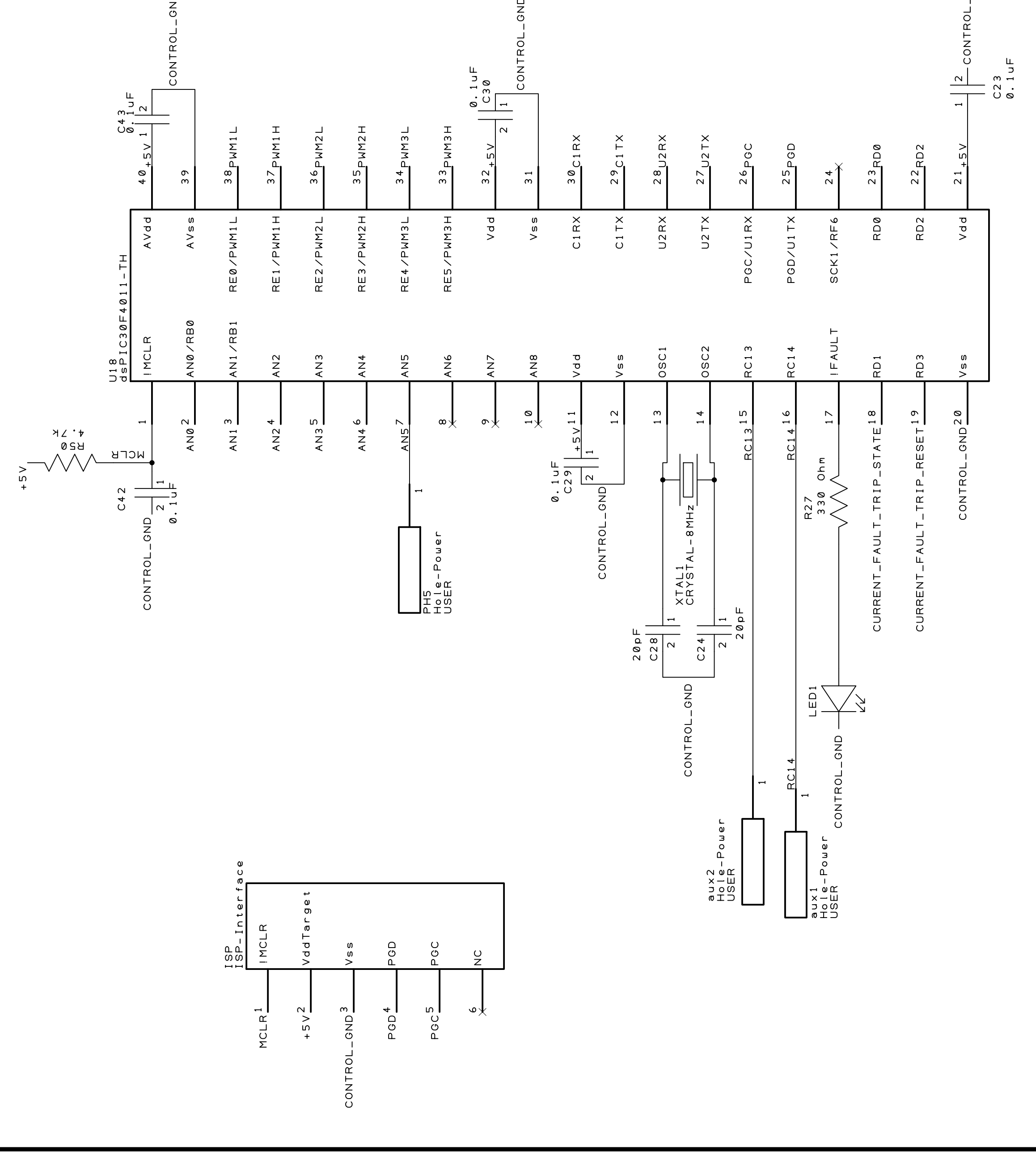
CANBUS CIRCUITRY



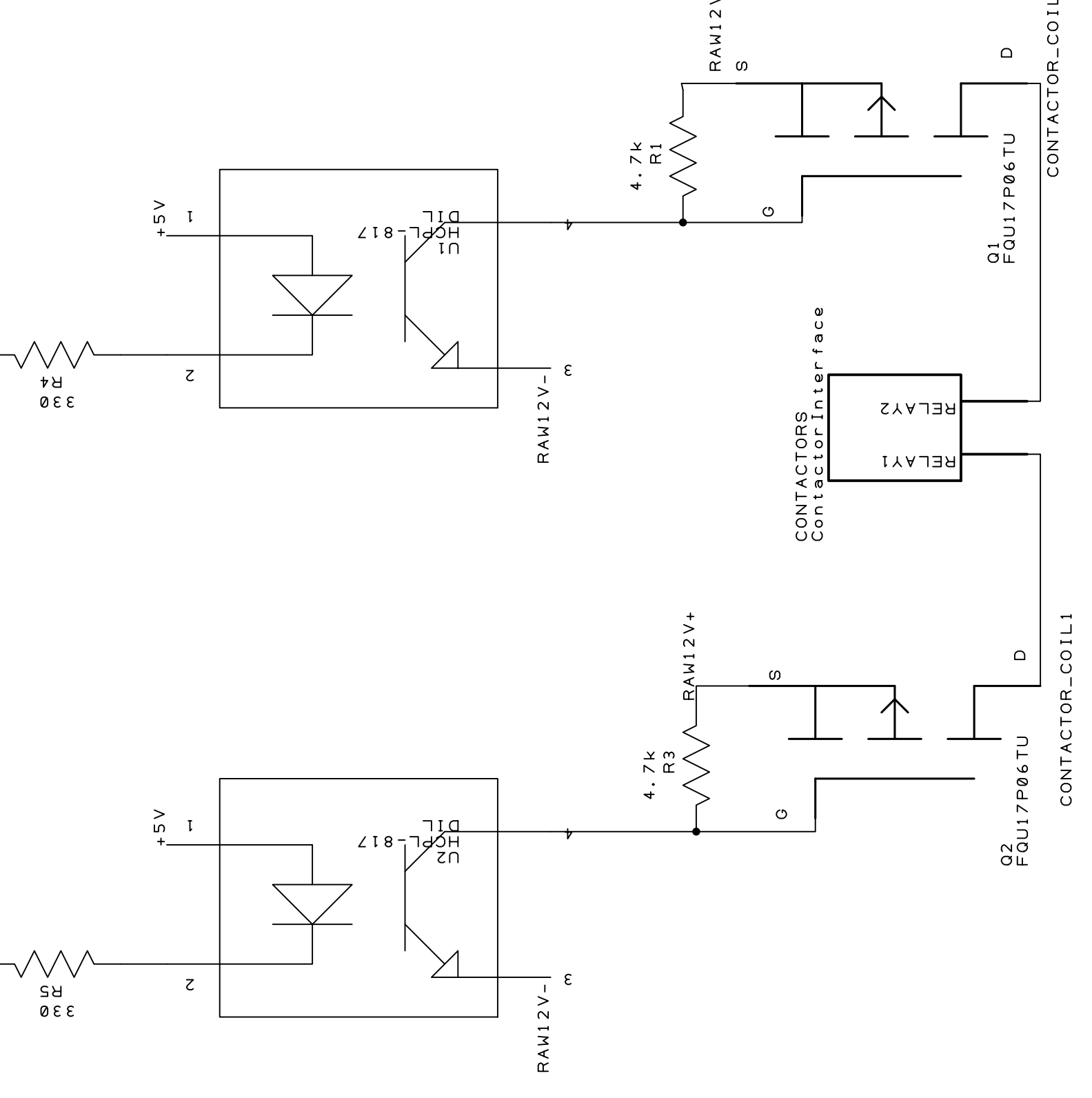
SERIAL COMMUNICATIONS



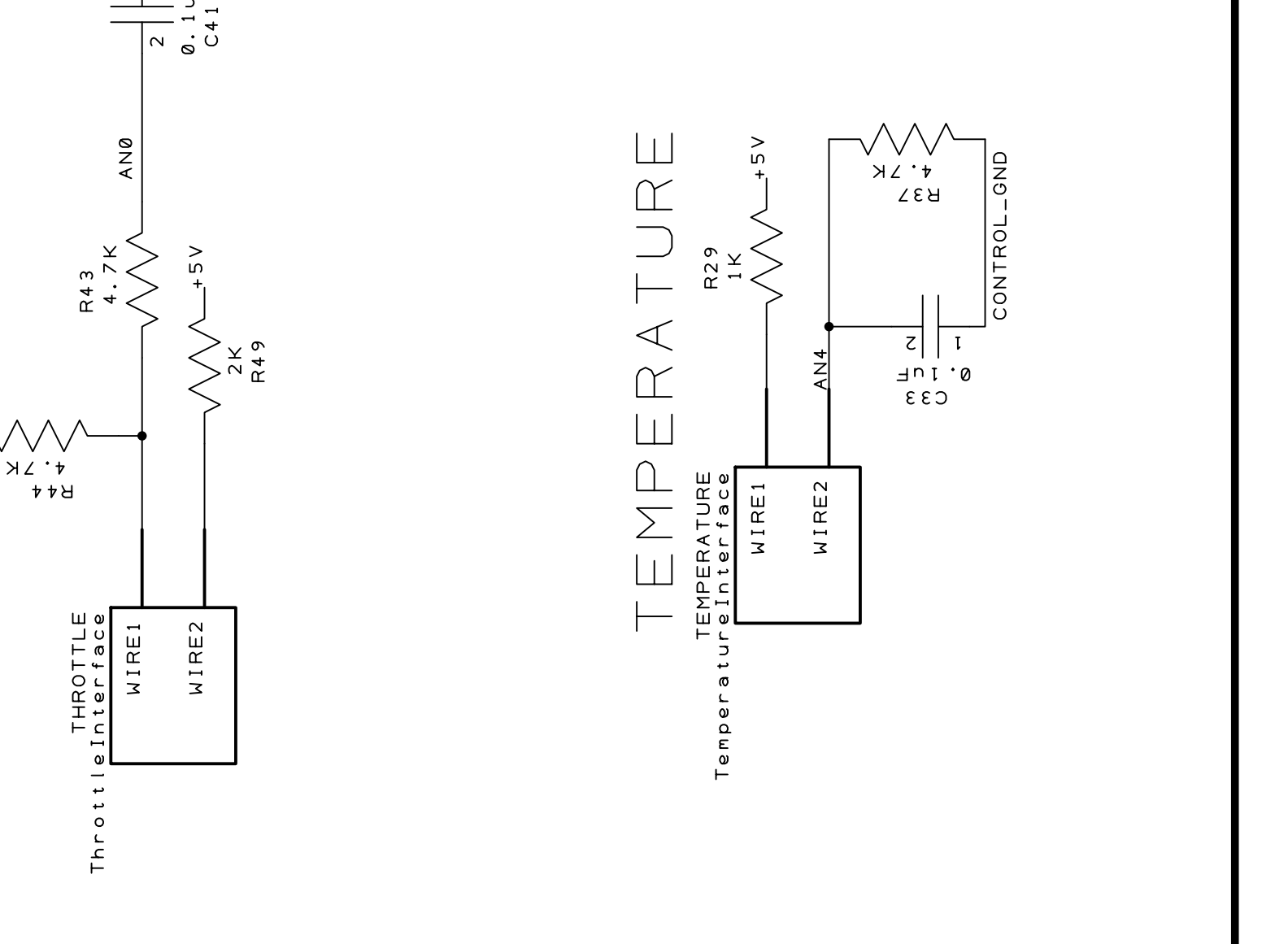
MICROCONTROLLER



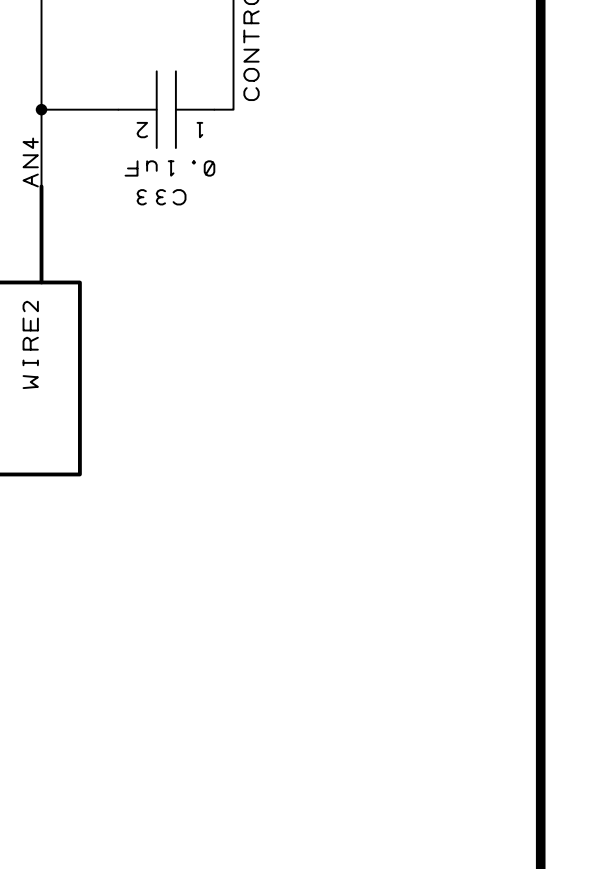
RELAY CONTROL



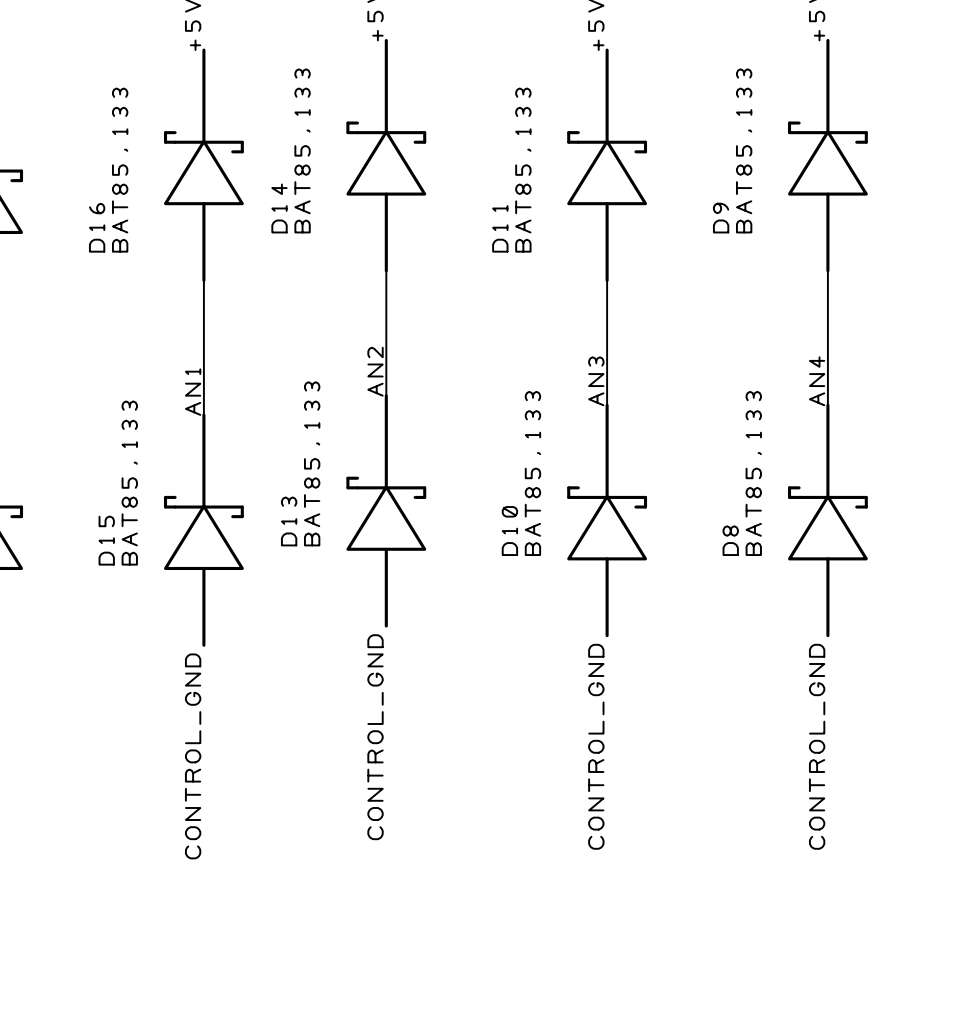
THROTTLE



TEMPERATURE



PROTECTION FOR UNDER/OVERVOLTAGE ON A/D CHANNELS



HARDWARE OVERCURRENT TRIP

